



Coimisiún na Scrúduithe Stáit
State Examinations Commission

Leaving Certificate Examination, 2013

Design & Communication Graphics
Ordinary Level

Section A (60 marks)

Wednesday, 19 June
Afternoon, 2:00 - 5:00

This examination is divided into three sections:

SECTION A (Core - Short Questions)
 SECTION B (Core - Long Questions)
 SECTION C (Applied Graphics - Long Questions)

SECTION A

- Four questions are presented.
- Answer **any three** on the A3 sheet overleaf.
- All questions in Section A carry **20 marks** each.

SECTION B

- Three questions are presented.
- Answer **any two** on drawing paper.
- All questions in Section B carry **45 marks** each.

SECTION C

- Five questions are presented.
- Answer **any two** (i.e. the options you have studied) on drawing paper.
- All questions in Section C carry **45 marks** each.

General Instructions:

- *Construction lines must be shown on all solutions.*
- *Write the question number distinctly on the answer paper in Sections B and C.*
- *Work on one side of the drawing paper only.*
- *All dimensions are given in metres or millimetres.*
- *Write your Examination number in the box below and on all other sheets used.*

Examination Number:

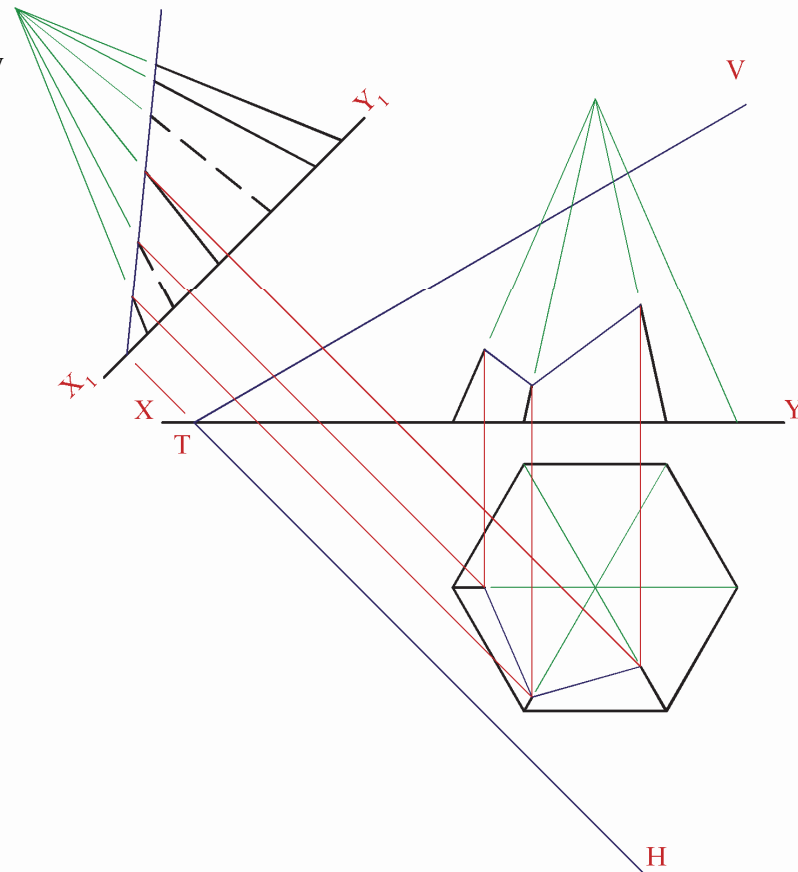
SECTION A - Core - Answer any three of the questions on this A3 sheet

A-1. The 3D graphic below shows a truncated hexagonal based pyramid designed to display a photograph.

The incomplete plan and elevation of a similar pyramid are shown on the right. An auxiliary elevation is also given.

The solid is cut by an oblique plane VTH as shown.

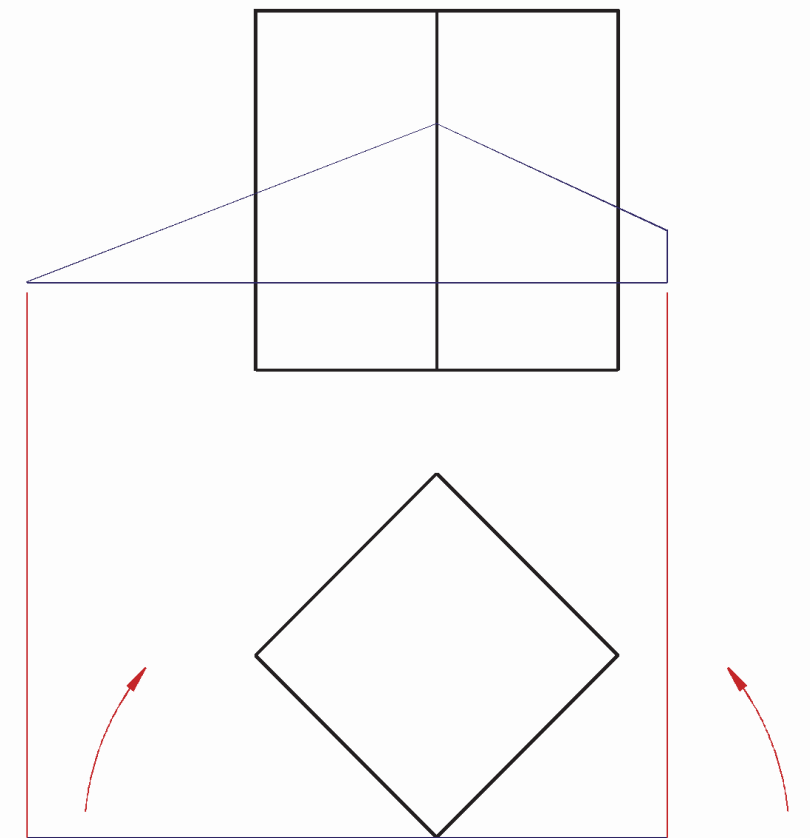
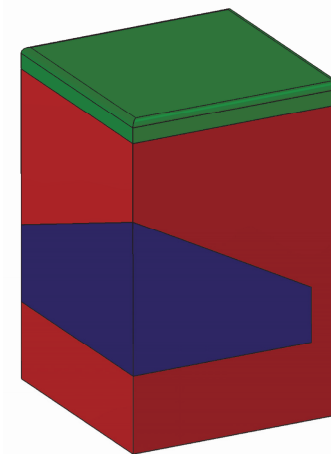
- (a) Complete the plan of the truncated pyramid.
- (b) Complete the elevation of the truncated pyramid.



A-3. The 3D graphic below shows a box for toys and a label which has been wrapped around it.

The drawing on the right shows the plan and elevation of the box. The label is also shown, before it has been wrapped around the box.

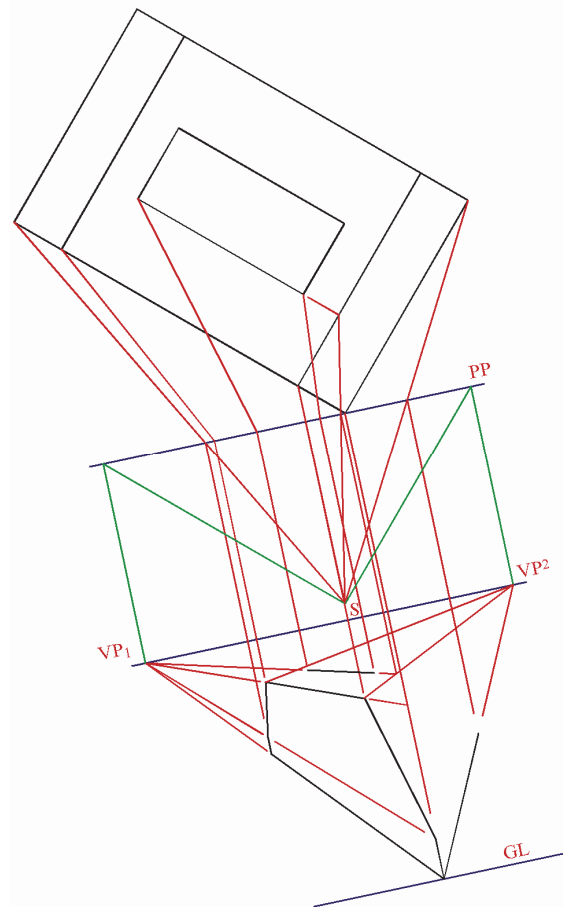
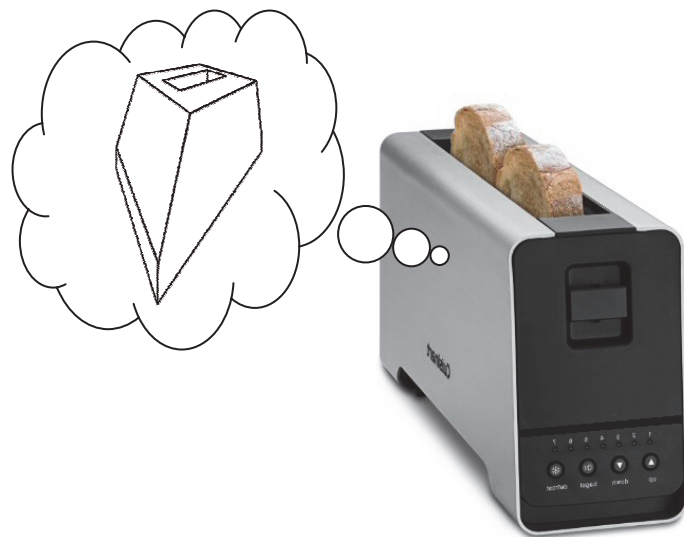
Complete the elevation showing the label in the wrapped position.



A-2. The 3D graphic below shows a toaster with one rectangular opening on its top surface.

The drawing on the right shows the plan and a partially completed perspective view of a similar toaster.

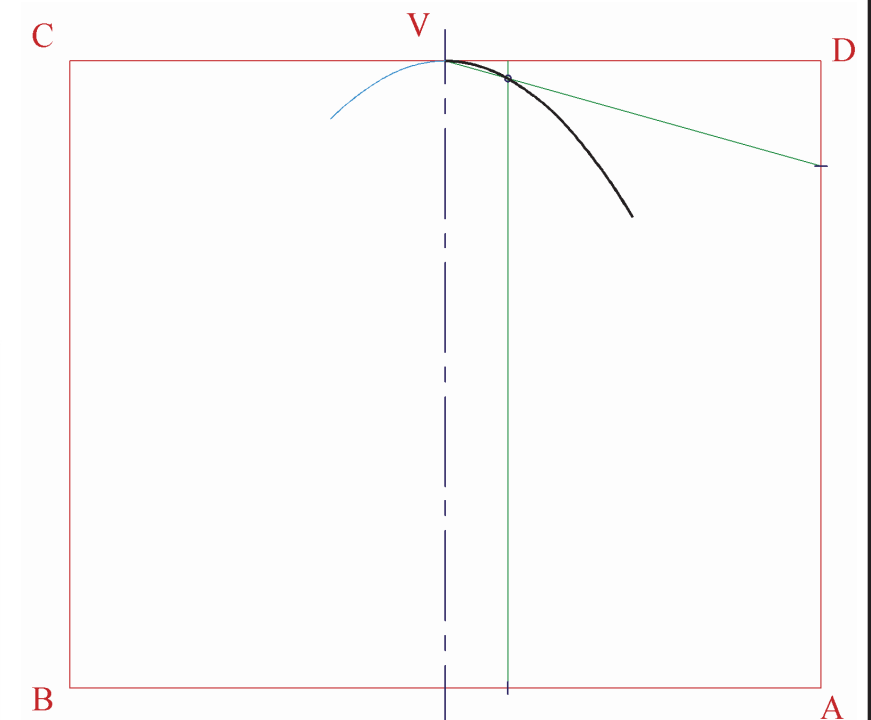
Complete the perspective drawing of the toaster.



A-4. The graphic below shows a water fountain in Sweden. The fountain is in the shape of a parabola.

The drawing on the right shows a portion of a parabola inscribed in a rectangle ABCD. V is the vertex of the parabola.

- (a) Locate the remaining points on the parabola.
- (b) Draw the complete parabola.



**This Contour Map is part of Section C
and should only be used for the
answering of the Geologic Geometry
Option (Question C-1).**

(Scale 1:1000)

