



Coimisiún na Scrúduithe Stáit
State Examinations Commission

Leaving Certificate Examination, 2009

Design & Communication Graphics
Ordinary Level
Sections B and C (180 Marks)

Friday, 12 June

Afternoon, 2.00 - 5.00

This examination is divided into three sections:

- SECTION A (Core - Short Questions)
 SECTION B (Core - Long Questions)
 SECTION C (Applied Graphics - Long Questions)

- SECTION A**
- Four questions are presented
 - Answer **any three** on the accompanying A3 examination paper
 - All questions in Section A carry **20 marks**

- SECTION B**
- Three questions are presented
 - Answer **any two** on drawing paper
 - All questions in Section B carry **45 marks**

- SECTION C**
- Five questions are presented
 - Answer **any two** (i.e. the options you have studied) on drawing paper
 - All questions in Section C carry **45 marks**

General Instructions:

- *Construction lines must be shown on all solutions*
- *Write the question number distinctly on the answer paper in Sections B and C*
- *Work on one side of the drawing paper only*
- *All dimensions are given in metres or millimetres*
- *Write your Examination number in the box provided on section A and on all other sheets used*

SECTION B - Core

Answer **Any Two** questions from this section on drawing paper

B-1. The 3D graphic shows an entrance to a house. The drawing in Fig. B-1 below shows the right hand pier and wall from the entrance.

(a) Draw the given plan and elevation.

(b) Draw an auxiliary elevation of the pier and wall, projected from the plan, which will show the true shape of surface A of the wall.

Scale 1:20

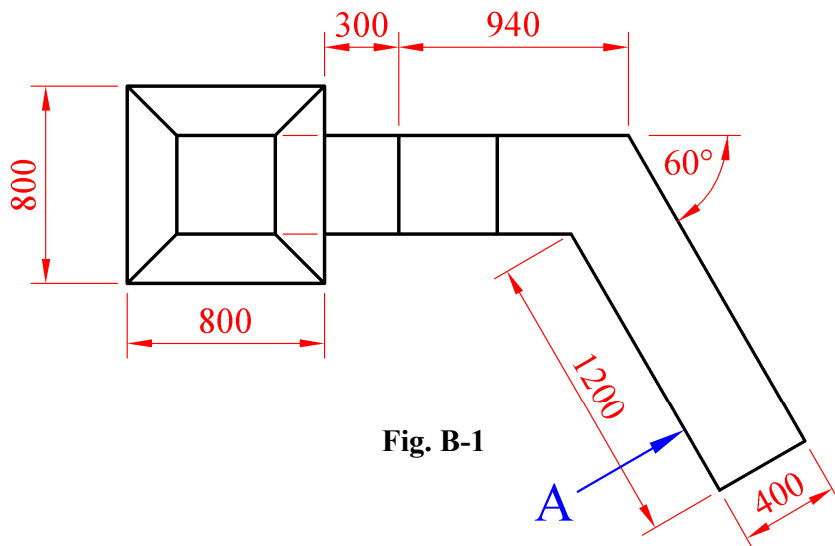
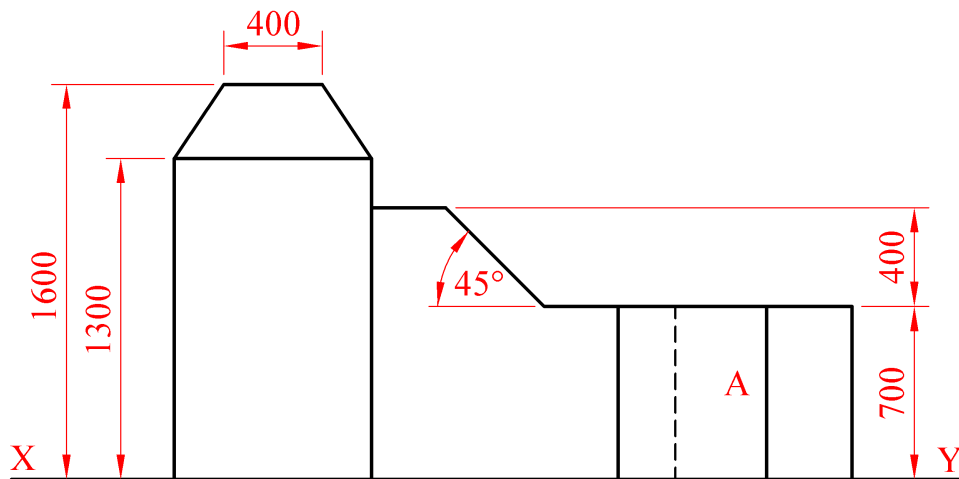
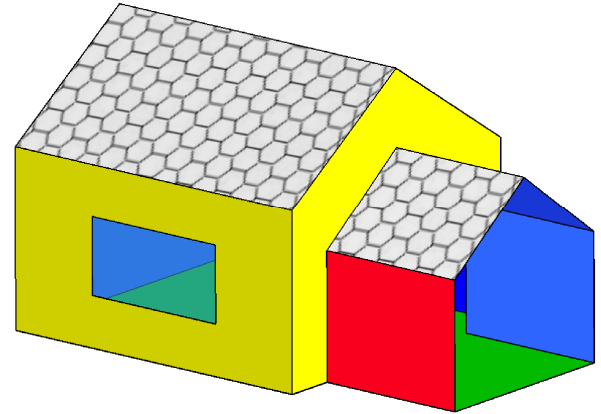


Fig. B-1

B-2. The 3D graphic on the right shows a child's playhouse which is made from plastic.

Fig. B-2 below shows the plan and elevation of the structure.



- (a) Draw the given plan.
- (b) Make a perspective drawing of the structure given the following:
- The spectator point is 1440mm from corner A;
 - The picture plane is touching corner A;
 - The horizon line is 1000mm above the ground line.

Scale 1:20

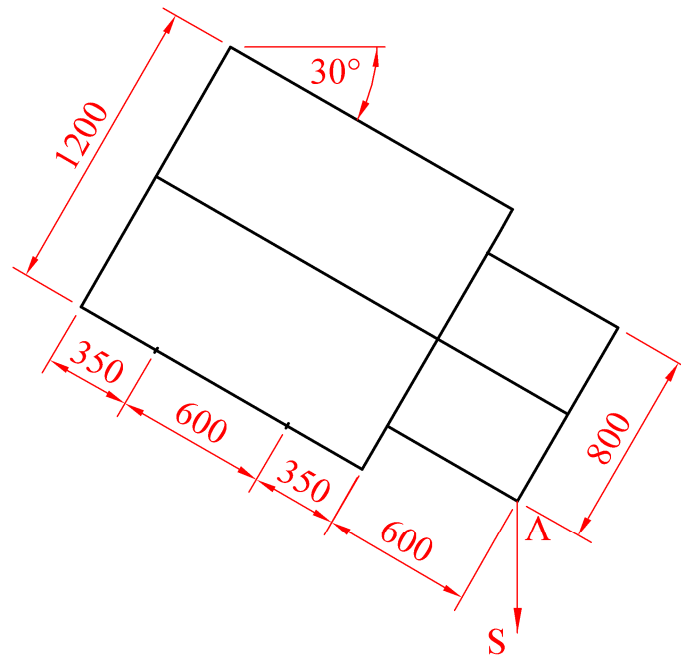
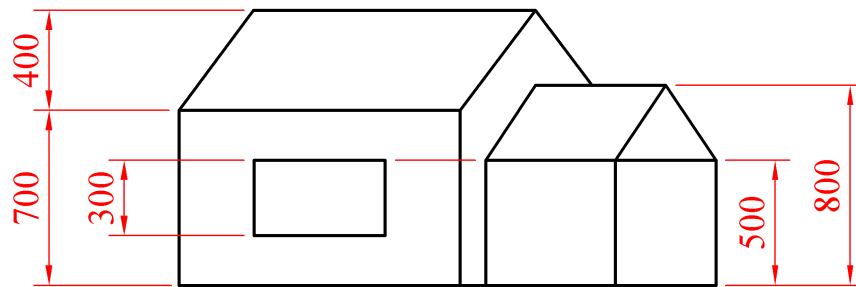


Fig. B-2

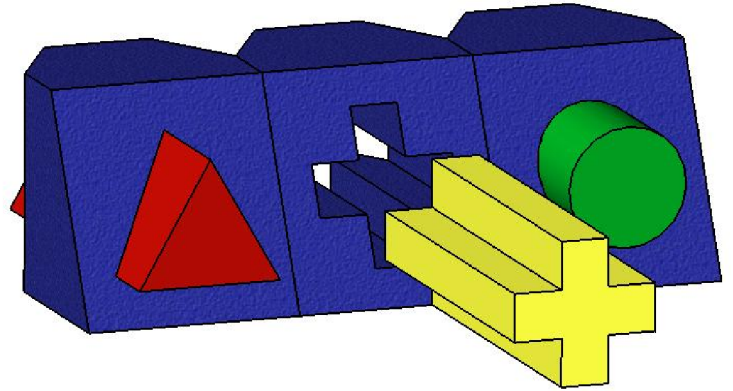
B-3. The 3D graphic on the right shows a child's toy.

Fig. B-3 below shows one of the blocks and one of the pegs from the toy.

The peg is an equilateral triangular prism, of 60mm side.

Draw the given plan and elevation and project an end elevation of the block and peg.

Show all lines of interpenetration.



Scale 1:1

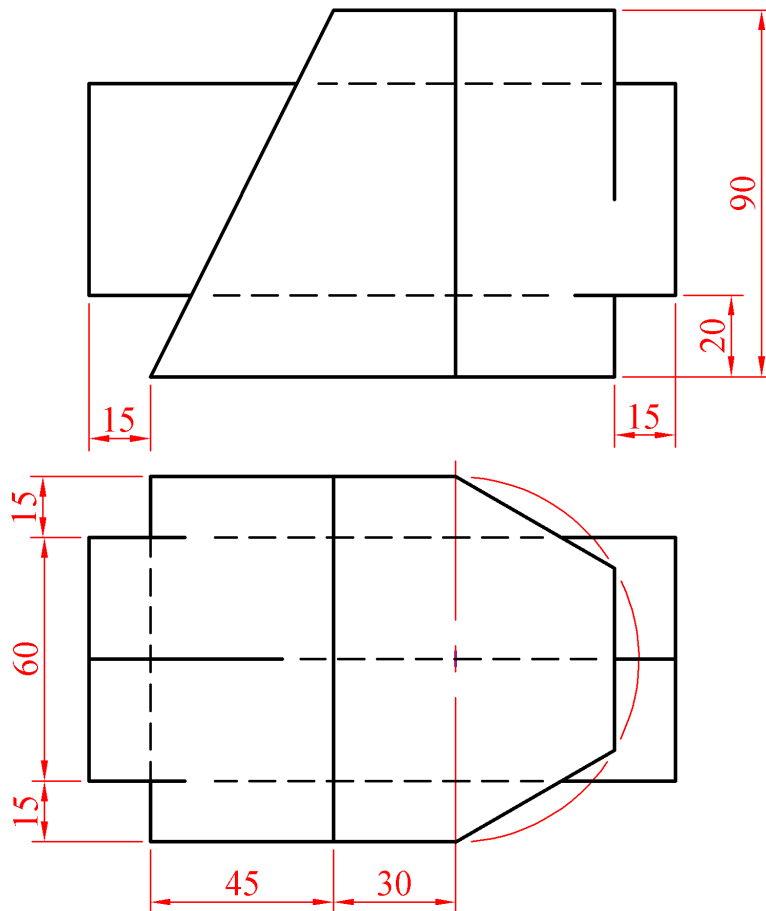


Fig. B-3

SECTION C - Applied Graphics

Answer **Any Two** questions (i.e. the options you have studied)
from this section on drawing paper

Geologic Geometry

C-1. The accompanying map, located on the back page of Section A, shows ground contours at five metre vertical intervals.

- (a) On the drawing supplied, draw a vertical section (profile) on the line AB.
- (b) An observation tower is to be built at A. Determine the minimum height for the tower if the ground at B is to be visible from the top of the tower.
- (c) CD is the centreline of a proposed roadway which is level at an altitude of 55m.
Using side slopes of 1 in 1 for the embankments, complete the earthworks necessary to accommodate the roadway.

(Note: The earthworks on the southern side of the roadway have already been completed)

Scale 1:1000

Structural Forms

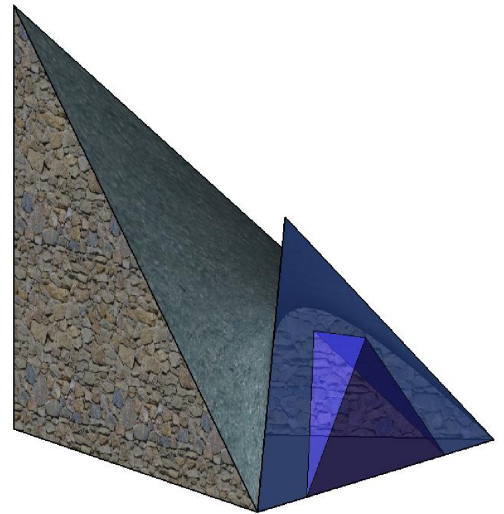
C-2. A modern exhibition centre which has a triangular glass front and a triangular glass doorway is shown in the 3D graphic on the right.

Fig. C-2 below shows the plan and elevation of the structure.

- (a) Surface ABCD of the structure is in the form of a hyperbolic paraboloid.

Draw the given plan and elevation of the hyperbolic paraboloid surface and project an end view.

- (b) Draw the elevation, end view and plan of the triangular entrance and complete the projections of the structure.



Scale 1:200

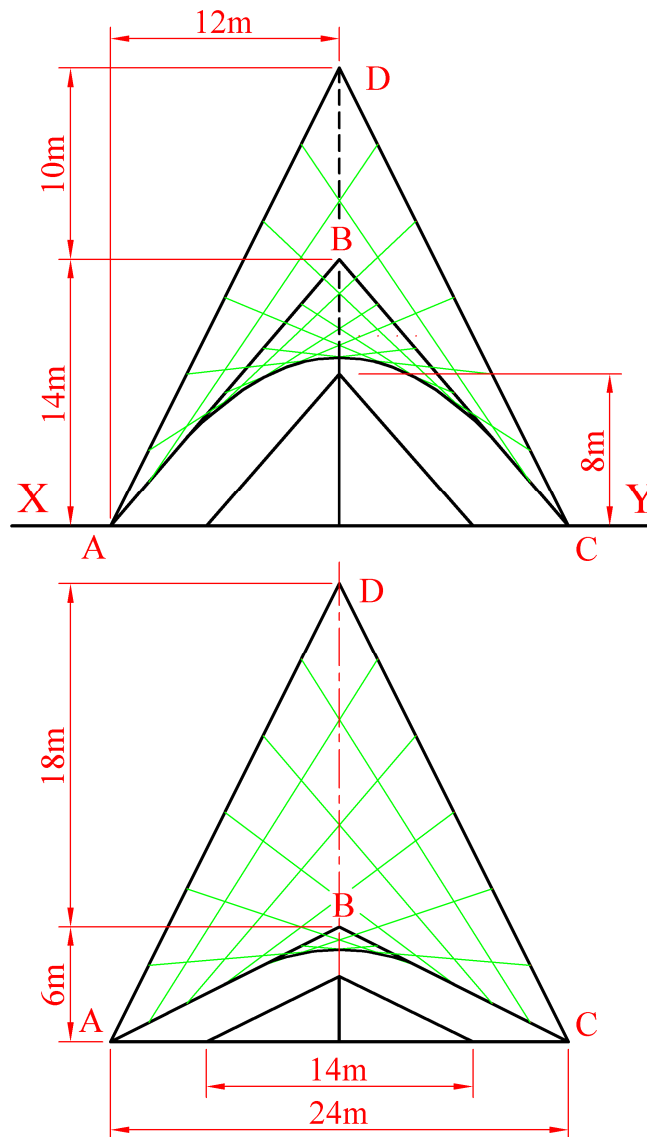
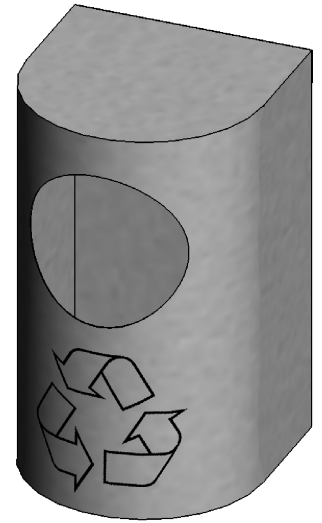


Fig. C-2

Surface Geometry

C-3. The 3D graphic on the right shows a recycling bin made from stainless steel. The plan and elevation of the bin are shown in Fig. C-3 below.

- (a) Draw the given plan and elevation.
- (b) Draw a one-piece surface development of the recycling bin.
- (c) Draw and indicate, in millimetres, the minimum size of a rectangular sheet which would contain the development.



Scale 1:10

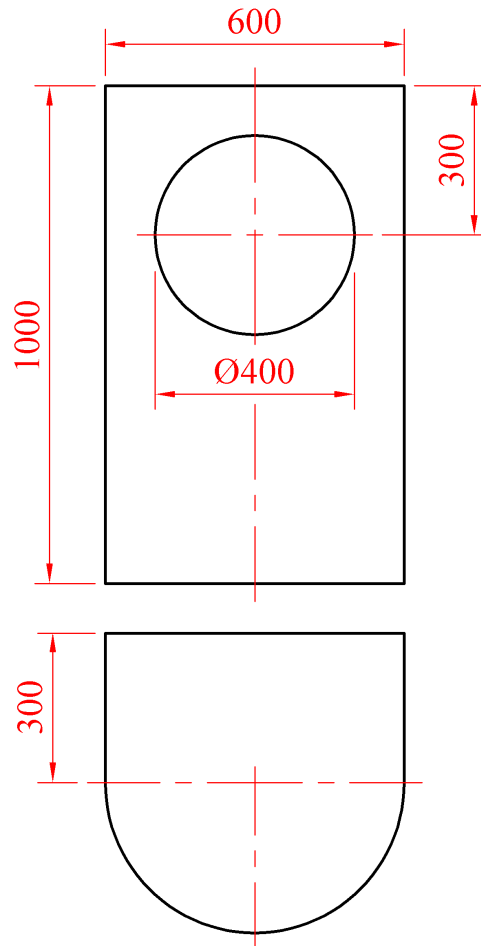
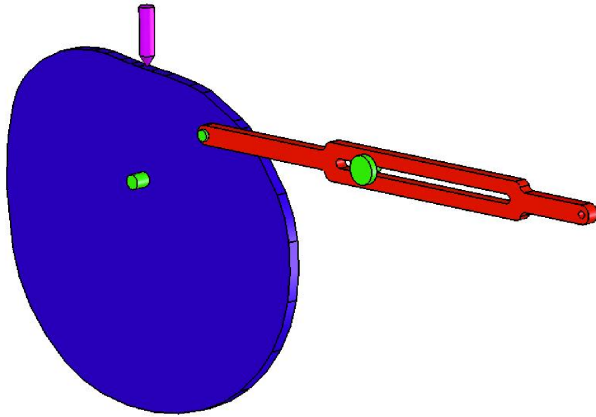


Fig. C-3

Dynamic Mechanisms

C-4. The 3D graphic below shows a model of a mechanism from the pull along toy camel on the right.

The rotating cam causes the rider to move up and down and the link mechanism moves the toy's head in a slow "camel like" movement.



The cam and link mechanism are both shown in Fig. C-4 below.

(a) Draw the displacement diagram for the cam given that it imparts the following motion to the follower:

- A to B (0° to 90°) Rise with uniform acceleration and retardation;
- B to C (90° to 150°) Rise with uniform velocity;
- C to D (150° to 180°) Dwell;
- D to A (180° to 360°) Fall with simple harmonic motion.

Note: It is not necessary to draw the outline of the cam. Only the displacement diagram is required.

(b) The link EF is pin jointed to the cam at E and the link slides through the fixed point P. On a separate diagram, draw the link mechanism as a line diagram. Plot the locus of point F for one revolution of the cam about the fixed point O.

Note: It is not necessary to draw the outline of the cam.

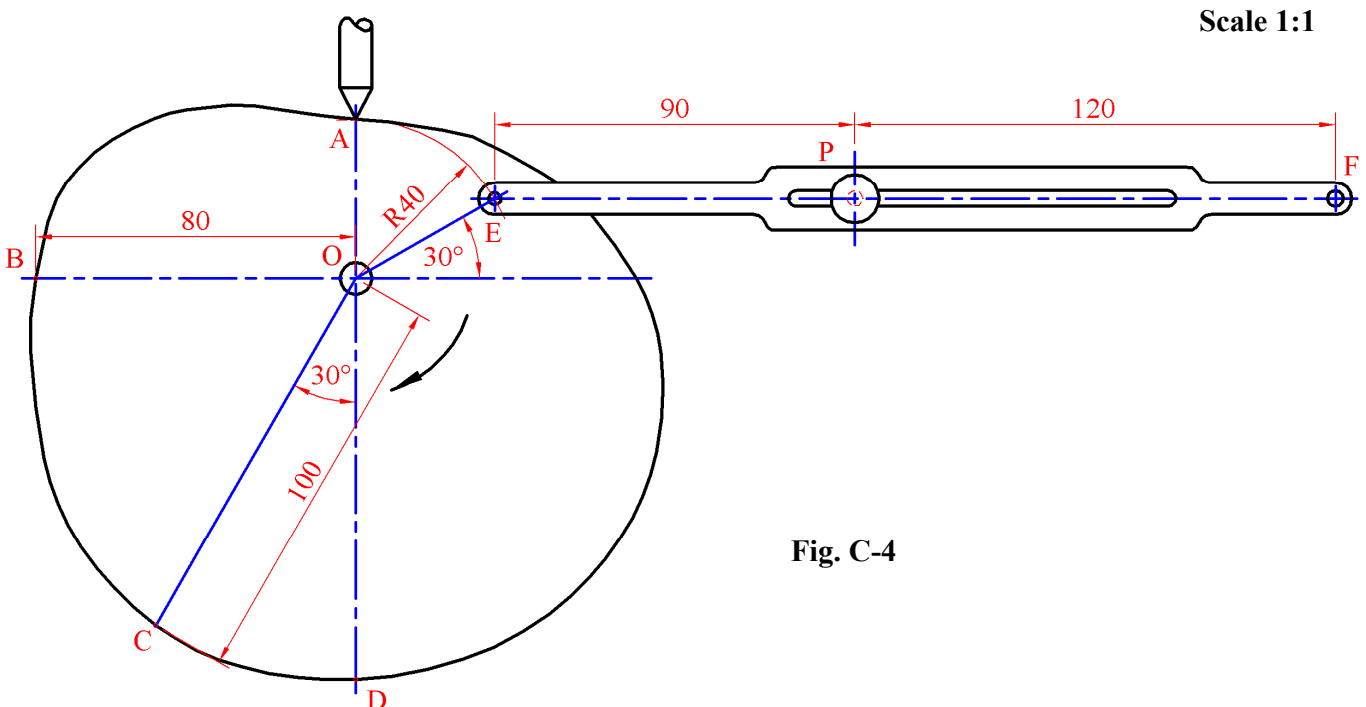


Fig. C-4

BLANK PAGE

BLANK PAGE

BLANK PAGE